

# Omega tipo profiliai

ventilijuojamo fasado karkasui įrengti



## LANK META

LANKSTYTI METALO PROFILIAI

Trakiškio g. 9, LT-35115 Panevėžys, Lietuva

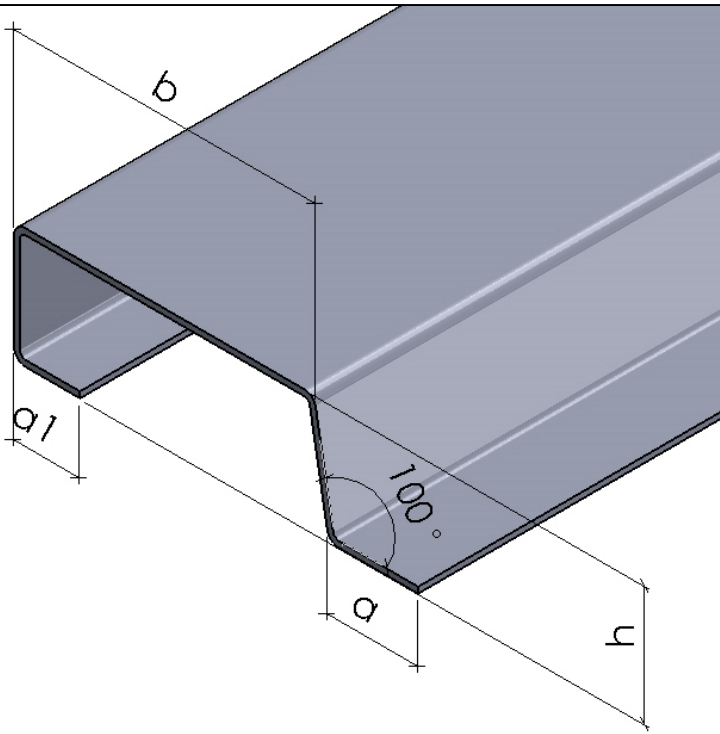
Tel: +370 455 02310

El. paštas: info@lankmeta.lt

Profilio tipas	Profilio pavadinimas	Kodas užsakymams	Metalo markė	Metalo storis, mm	Profilio matmenys, mm			
					h	b	a, a1	Ilgis Lmax
Omega profilis								
	Omega (20/20/30/20/20)x0,8	Omega 20/30	DX51D+Z275	0.8	20	30	20	6000
	Omega (20/20/30/20/20)x1,0		S350GD+Z275	1	20	30	20	6000
	Omega (20/20/30/20/20)x1,2		S350GD+Z275	1.2	20	30	20	6000
	Omega (20/20/30/20/20)x1,5		S350GD+Z275	1.5	20	30	20	6000
	Omega (20/20/60/20/20)x0,8	Omega 20/60	DX51D+Z275	0.8	20	60	20	6000
	Omega (20/20/60/20/20)x1,0		S350GD+Z275	1	20	60	20	6000
	Omega (20/20/60/20/20)x1,2		S350GD+Z275	1.2	20	60	20	6000
	Omega (20/20/60/20/20)x1,5		S350GD+Z275	1.5	20	60	20	6000
	Omega (20/20/80/20/20)x0,8	Omega 20/80	DX51D+Z275	0.8	20	80	20	6000
	Omega (20/20/80/20/20)x1,0		S350GD+Z275	1	20	80	20	6000
	Omega (20/20/80/20/20)x1,2		S350GD+Z275	1.2	20	80	20	6000
	Omega (20/20/80/20/20)x1,5		S350GD+Z275	1.5	20	80	20	6000
	Omega (20/20/100/20/20)x0,8	Omega 20/100	DX51D+Z275	0.8	20	100	20	6000
	Omega (20/20/100/20/20)x1,0		S350GD+Z275	1	20	100	20	6000
	Omega (20/20/100/20/20)x1,2		S350GD+Z275	1.2	20	100	20	6000
	Omega (20/20/100/20/20)x1,5		S350GD+Z275	1.5	20	100	20	6000
Omega (20/20/120/20/20)x0,8	Omega 20/120	DX51D+Z275	0.8	20	120	20	6000	
Omega (20/20/120/20/20)x1,0		S350GD+Z275	1	20	120	20	6000	
Omega (20/20/120/20/20)x1,2		S350GD+Z275	1.2	20	120	20	6000	
Omega (20/20/120/20/20)x1,5		S350GD+Z275	1.5	20	120	20	6000	

Taip pat gaminame pagal pageidaujamus kliento pateiktus h, b, a ir a1 matmenis.

Profilio tips	Profilio pavadinimas	Kodas užsakymams	Metalo markē	Metalo storis, mm	Profilio matmenys, mm			
					b	h	a, a1	Ilgis Lmax
Omega profilis angokraščiams	Omega ang. (11/20/50/21/15)x0,8	Omega angokraščiams	DX51D+Z275	0.8	50	20	11, 15	6000
	Omega ang. (11/20/50/21/15)x1,0		S350GD+Z275	1	50	20	11, 15	6000
	Omega ang. (11/20/50/21/15)x1,2		S350GD+Z275	1.2	50	20	11, 15	6000



Taip pat gaminame pagal pageidaujamus kliento pateiktus h, b, a ir a1 matmenis.